

**MULTIDECK SWITCH-LOCKS**

An arrangement available on types **4V - 4VCS - 8V - 8VCS**.

Whatever switch of these series can be supplied key operated instead of button.

All electrical and mechanical feature of the basic type, excepted adjustable stop, are confirmed.

KEYLOCKS available in 2 models:

**Outside** type keylock has chrome plated housing,  
**Inside** type keylock has shortened zinc plated housing.



The rotor cap is stainless steel made.

Up to 4 entry/withdrawal key position, 90° spaced.

Index angle: 30° (60° 90°) as required by switch.

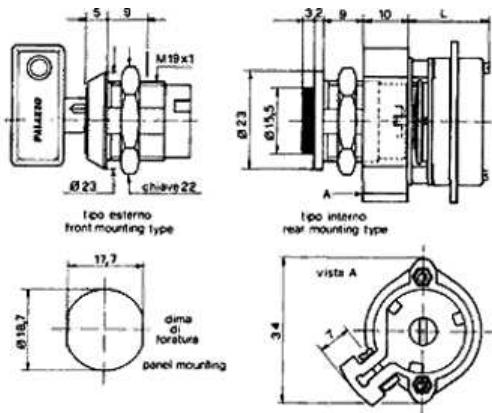
Switchlocks from stock have the same code:  
50 different codes are available (100 pcs min. per code).

The two keys supplied have black plastic coated handle.

A key-link metal ring is available on demand.

On single deck switch L = 21 mm. Add 7.62 mm (.300") each further deck.  
Special mounting: see [form](#)

- ASSEMBLING:
- 1 - put the lock on the front panel (OUTSIDE type) or put it on an (INSIDE type), screw and tight the nut.
  - 2 - fit in the switch to the keylock and tight the black clamp by the screw.



[printable page \(PDF\)](#)

**Rohs Conformity:** this product is compliant to european directive 2002/95/CEE - 27/01/2003

[Customize a standard switch, fill the form, e-mail](#)

[Switches materials and finishings](#)

[New switches on customer specifications \(big productions\)](#)

