



**IN LINE, PCB TERMINALS
6 POLES-A-DECK SWITCHES**

Type **9VCS** epoxyglass FR4 class.

Multi deck switches for signals with printed bases and spring brush contact system.

Adjustable stop.

- Features:
- 1 pole, 12 pos in each sector
 - 2 poles, 6 pos in each sector
 - 3 poles, 4 pos in each sector
 - 4 poles, 3 pos in each sector
 - 6 poles, 2 pos in each sector

Per deck max 12 pos.

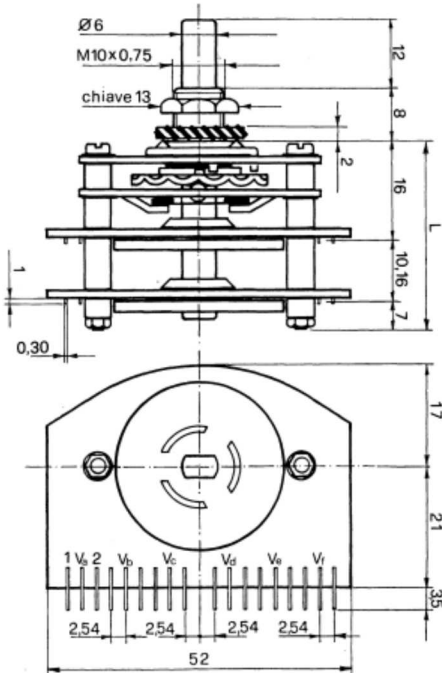
Not shorting contacts (break before make).

Index angle:: 30° (60°, 90°& on demand).

Index torque: 1,5 / 2Kgcm (other values on demand).

WATERPROOF version (on demand)
an O-ring is mounted on the shaft inside the threaded bushing and a rubber washer is placed rear side the customer panel.

On single deck switch L = 23 mm. Add 10.16 mm (.400") each further deck.
Special mounting: see [form](#)



Contacts sequence **IN LINE** switches 

 [printable page \(PDF\)](#)

| | |
|--------------------------------|---|
| Portata in commutazione: | 0.3A 110Vac / 0.4A 30Vdc (resistive load) |
| Contact resistance: | <mohm (track resistance to be added) |
| Insulation contacts ground: | 1500Vac 200x10 ⁹ ohm |
| Insulation between near poles: | 1000Vac 90x10 ⁹ ohm |
| Life expectancy: | >150.000 witching perations (test current = 0.1 max value) |

RohS Conformity: this product is compliant to european directive 2002/95/CEE - 27/01/2003

Customize a standard switch, [fill the form](#), [e-mail](#)

[Switches materials and finishings](#)

New switches on costumer specifications (big productions)

