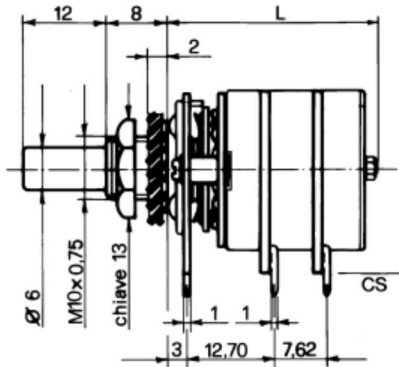


**IN LINE, PCB TERMINALS
12 CONTACTS SWITCHES**



Type **8VCS** epoxyglass FR4 class.

Multi deck switches for signals with sliding pad contact system.

Adjustable stop.

Keylocks on demand.

- Features:
- 1 pole 12 positions
 - 2 poles 6 positions
 - 3 poles 4 positions
 - max 8 sectors

Non shorting contacts (break before make),
shorting contacts on demand.

Index angle: 30° (60° 90° on demand).

Index torque: 1.2Kgcm (other values available).

WATERPROOF version (on demand)

an O-ring is mounted on the shaft inside the threaded bushing
and a rubber washer is placed rear side the customer panel.

On single deck switch L = 23 mm. Add 7.62 mm (.300") each further deck.
Special mounting: see [form](#)

Contacts sequence **IN LINE** switches



[printable page \(PDF\)](#)

Current breaking capacity:	0.3A 220Vac 0.4A 30Vdc (resistive load)
Contact resistance:	<9mohm (average initial value)
Insulation contacts/mass:	1300Vac 150x10 ⁹ ohm
Insulation between near poles:	900Vac 20x10 ⁹ ohm
Life expectancy:	>100.000 switching operations (test current = 0,1 max value)

RohS Conformity: this product is compliant to
european directive 2002/95/CEE - 27/01/2003

[Customize a standard switch, fill the form, e-mail](#)

[Switches materials and finishings](#)

[New switches on costumer specifications \(big productions\)](#)

