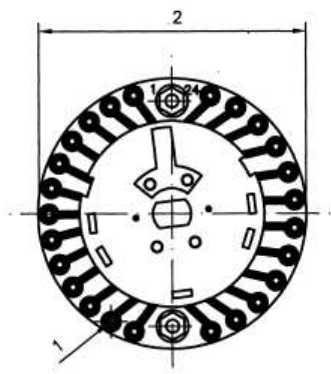
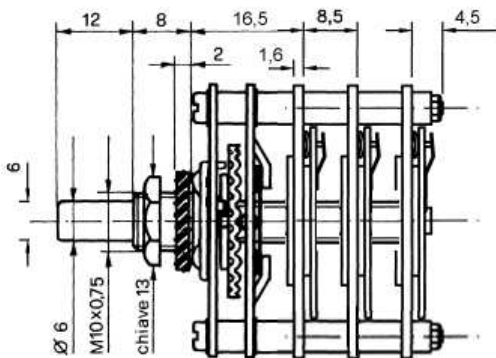


**PCB TERMINALS  
24 CONTACTS SWITCHES**



Type **5V** epoxyglass FR4 class, with dust proof covers.

Multi deck switches for signals  
with sliding pad contact system.

Adjustable stop.

Features:    1 pole    24 positions in each sector  
              2 poles    12 positions in each sector  
              4 poles    6 positions in each sector  
              Max number of sectors: 8

Non shorting contacts (break before make).

Index angle: 15° (30°, 60° or 90° on demand).

Index torque: 1.2 / 1.7Kgcm (other values on demand).

On single deck switch L = 23 mm.  
Add 8.5 mm each further deck.

PCB holes  $\varnothing$  1mm.

HV version (on demand) available  
with insulated shaft glass-polyester (max 4 decks).  
Nylon screws (max 1 deck) on demand.

WATERPROOF version (on demand)  
an O-ring is mounted on the shaft inside the threaded bushing  
and a rubber washer is placed rear side the customer panel.

Special mounting: see [form](#)

 [printable page \(PDF\)](#)

Current breaking capacity:	0.2A 110Vac / 0.4A 30Vdc (resistive load)
Contact resistance:	<9mohm (track resistance to be added)
Insulation between contactants and mass:	1300Vac 150x10 <sup>9</sup> ohm
Insulation between poles:	900Vac 20x10 <sup>9</sup> ohm
Life expectancy:	>120.000 switching operations (test current = 0,1 max value)

**RohS Conformity:** this product is compliant to  
european directive 2002/95/CEE - 27/01/2003

[Customize a standard switch, fill the form, e-mail](#)

[Switches materials and finishings](#)

[New switches on costumer specifications \(big productions\)](#)

