



**IN LINE, PC TERMINALS  
24 CONTACTS SWITCHES**

Type **5VCS** epoxyglass FR4 class

Multi deck switches for signals  
with sliding pad contact system.

Adjustable stop.

- Features:
- 1 pole, 24 positions in each sector
  - 2 poles, 12 positions in each sector
  - 4 poles, 6 positions in each sector
  - max 8 sectors

Not shorting contacts (break before make).

Index angle: 15° (30°, 60° or 90° on demand).

Index torque: 1.5 / 2Kgcm (other values on demand).

PCB layout:

drawing here left, shows the poles type.

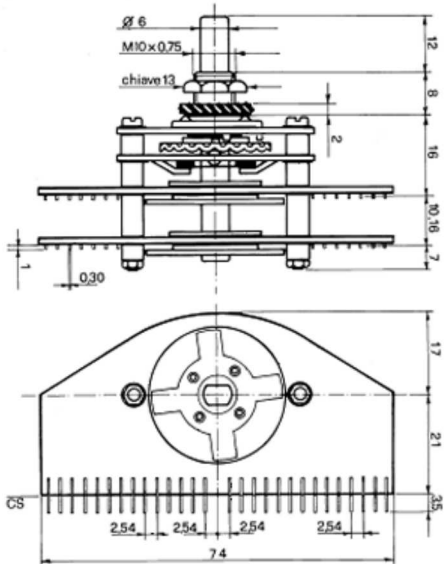
See on file 5.2 all contact arrangements.

Read pin numbers from left, track-side wafer, terminals down.

On 1 pole type connect all V terminals.

On 2 poles type, connect Va with Va and Vb with Vb.

On single deck switch L = 23 mm. Add 10.16 mm (4/10") each further deck.



PCB holes  $\varnothing 1.3$  mm.

HV version (on demand) available

with insulated shaft glass-polyester (max 4 decks).

Nylon screws (max 1 deck) on demand.

WATERPROOF version (on demand)

an O-ring is mounted on the shaft inside the threaded bushing  
and a rubber washer is placed rear side the customer panel.

On single deck switch L = 23 mm. Add 10.16 mm (.400") each further deck.

Special mounting: see [form](#)

Contacts sequence IN LINE switches



[printable page \(PDF\)](#)

Current breaking capacity:		0.3A 110Vac / 0.4A 30Vdc (resistive load)
Contact resistance:		<9mohm (track resistance to be added)
Insulation:	1300Vac	$400 \times 10^9$ ohm
	900Vac	$20 \times 10^9$ ohm
Life expectancy:		>100.000 switching operations (test current = 0,1 max value)

**RohS Conformity:** this product is compliant to  
european directive 2002/95/CEE - 27/01/2003

[Customize a standard switch, fill the form, e-mail](#)

[Switches materials and finishings](#)

[New switches on costumer specifications \(big productions\)](#)

