



COMPACT 12 CONTACT SWITCHES

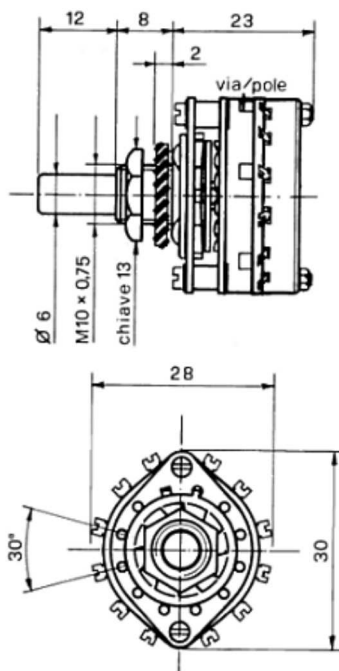
Type **4V** epoxyglass, whit dust proof covers.

Small switches for low power signals.

Sliding pad contact system.

Keylock on demand.

Features: 1 pole 12 positions in each sector
 2 poles 6 positions in each sector
 3 poles 4 positions in each sector
 max 6 sectors



Make before break (shorting) contacts only.

Adjustable stop.

Index angle: 30° (60° 90° on demand).

Index torque: 1,2 /1,7Kgm (other values on demand).

On single deck switch L = 23 mm add 7.5 mm each further deck.

WATERPROOF version (on demand)

an O-ring is mounted on the shaft inside the threaded bushing and a rubber washer is placed rear side the customer panel.

Special mounting: see [form](#)

 [printable page \(PDF\)](#)

Current breaking capacity:	1.3A 110Vac / 4A 30Vdc (resistive load)
Contact resistance:	<9mohm (average initial value)
Insulation:	1300Vac 150x10 ⁹ ohm
Life expectancy:	>200.000 switching operations (test current = 0,1 max value)

RohS Conformity: this product is compliant to
european directive 2002/95/CEE - 27/01/2003

[Customize a standard switch, fill the form, e-mail](#)

[Switches materials and finishings](#)

[New switches on costumer specifications \(big productions\)](#)

