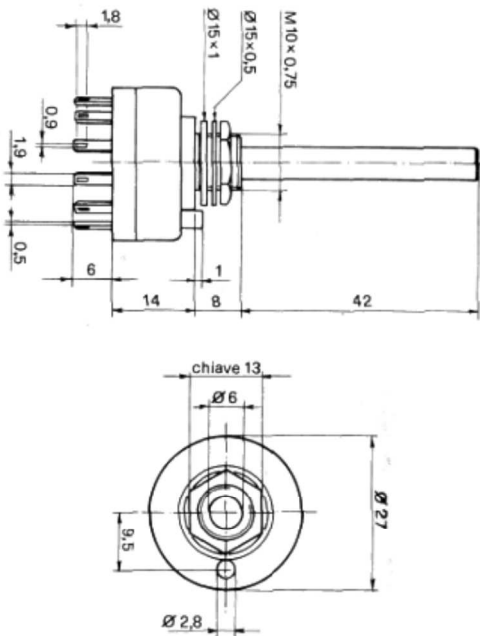




[complete drawing](#)



**LOW COST, SOLDER/WIRING TERMINALS
12 CONTACTS ROTARY SWITCHES**

Type 11R111	1 pole, 11 positions, snap: 30°
Type 11R206	2 poles, 6 positions, snap: 30°
Type 11R304	3 poles, 4 positions, snap: 30°
Type 11R403	4 poles, 3 positions, snap: 30°

Not shorting contacts.

Shortable version: add the type name with an **S**
(11R111S, 11R206S, 11R304S ecc...).

Low current switches, glass-filled nylon moulded,
they have spring brush contact system.

Adjustable stop.

Gold platings contacts only.

Inner inspectable.

Options:

shaft lenght up to 100 mm from PCB (with shaft extension).

Shaft toolings on customer's layout (see file).

WATERPROOF version (on demand)

an O-ring is mounted on the shaft inside the threaded bushing
and a rubber washer is placed rear side the customer panel.

Tighting brass ring:

increases the strengt to an axial pressure on the shaft,
from standard 20 Kg to over 40 Kg.

A trade-mark-less production (**11N** types),
is available for retailers.

Special mounting: see [form](#)

[printable page \(PDF\)](#)

Conformity to 73/23 directive, **CE**
EN 61058-1 standard

Current breaking capacity:	300mA 110Vac/400mA 30Vdc (resistive load)
Contact resistance:	<10mohm (average initial value)
Insulation between near contacts	1300Vac 22x10 ⁹ ohm
Insulation between poles	1200Vac 20x10 ⁹ ohm
Operating temperature	-20 + 80 °C
Life expectancy:	>120.000 switching operations (test current = 0,1 max value)

Rohs Conformity: this product is compliant to
european directive 2002/95/CEE - 27/01/2003

[Customize a standard switch, fill the form, e-mail](#)

[Switches materials and finishings](#)

[New switches on costumer specifications \(big productions\)](#)

